



Large format
print solutions.

FOR COMPUTER AIDED
DESIGN AND GEOGRAPHICAL
INFORMATION SYSTEMS

you can

Canon

Canon Large Format Printers for CAD or GIS.
Render the finest lines and the most precise graphics
with Canon's superb range of Large Format Printers
for Technical Environments.

Where **precision**
is paramount.



iPF605

24"



iPF610



iPF650



iPF655



iPF750

36"

Technical perfection for:

Electronic Design Automation (EDA)

Geographical Information Systems (GIS)

Mechanical CAD

Architecture

Engineering

Construction

Big benefits with Canon

We have been working with CAD & GIS companies for years, developing new solutions to fit their changing needs.

With fast print speeds and our 5 colour reactive ink technology we enable you to generate prints with smooth curves, fine lines and detailed text and images with ease.

The range

For true print flexibility, Canon offers a wide range of Large Format Printers for the CAD & GIS market, developed to fit your individual needs, offering 24" (A1) - 44" (B0) with speeds up to A1 in 24 secs & A0 in 47 secs*. Each device is easy to operate and designed to reduce your total cost of ownership, as well as offering full support for CAD applications with HP-GL/2 and HP-RTL compatibility, ensuring a seamless introduction into your CAD or GIS environment.

Whether its re-creating detailed 3D renderings and complex geographical data or producing simple building plans to scanning and copying large format documents and images to print, copy and archive. Canon's focus in the CAD and GIS market is to offer you the solution to meet your needs.

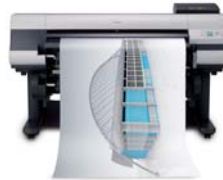


iPF755



iPF810

44"



iPF820



*iPF810 and iPF820



Print big with **precision.**

There's no room for error in the type of work you do. That's why you need a Large Format Printer that's designed specifically to produce the finest lines, smoothest curves and most striking graphical representations attainable.

Accurate and high quality printing

Canon's 5-colour dye/pigment reactive ink system gives the results you need using a wide colour gamut and with new magenta ink reds are even more vibrant*. Fine lines, small text and highly detailed graphics are produced with incredible accuracy and sharpness. 1200 dpi rendering and a minimum line width of 0.02mm is consistently achieved with an ink placement precision of just $\pm 0.1\%$.

Productive printing

The Canon CAD & GIS range of products can print at up to A1 in 24 secs and A0 in 47 secs*, for maximising productivity. This combined with the high capacity "hot swap" ink tanks** that can be changed quickly without stopping the printer, and the dual roll capability on the iPF820 make it ideal for printing large runs. The entire Canon range also comes with borderless printing to save you time on finishing.

Enhanced usability

Many users within the CAD & GIS market are not printing professionals. The Canon CAD & GIS range has been designed to be easy to use and to deliver the best results with minimum effort. The front-loading paper system means you can change paper easily, even when machines are installed in a tight space or against a wall. The latest models have a new stylish compact design, a simple front-loading delivery system and can automatically stack up to 20 A1 (iPF650 & iPF655) or 20 A0 (iPF750 & iPF755) prints.

Canon has also improved its intuitive operator panel with operator friendly features, as well as adding features to store media settings, detect media mismatches and a print timer to tell you the length of time each print takes.

*Included on models - iPF810, iPF820

**Included on models - iPF650, iPF655, iPF750, iPF755, iPF810, iPF820

Economical and reliable

As you would expect from Canon, reliable performance is a given and for added peace of mind our imagePROGRAF printers come with 1 years print head warranty. All CAD & GIS models also come with an Economy-mode for low cost prints, reducing ink consumption by approximately 50% when compared to conventional draft mode.

For 2009, Canon has designed accounting software to track the cost per print to help manage expenditure whilst Canon's eMaintenance package (as used on Canon Office and Professional products) helps customers monitor machine performance, track the lifetime of parts and order consumables.*

For all your CAD/GIS applications

The Canon CAD & GIS printers' support the common languages used in your market for seamless integration with the way you work. HP-GL/2 and HP-RTL are supported, and an HDI driver is also included for AutoCAD.

Architects, engineers and construction firms can produce plans in exceptional detail with precise line rendering.

Mechanical CAD engineers can create photorealistic visualisations of their plans in applications such as AutoCAD, Mechanical Desktop or Pro/Engineer and bring them to life quickly with exceptional quality on media up to 42".

GIS specialists can render complex "what-if" scenarios using maps, seismic analysis data or images from satellites. Even with the huge file sizes generated, the entire line-up can effortlessly handle your demands with accurate, predictable colour and exceptional line rendering.

Reprographics houses and print for pay offer fast printing at the highest quality, to print CAD & GIS documents on demand for their customers. The iPF750, iPF755, iPF810 and iPF820 are ideal for this market with the ability to print large runs quickly, with outstanding detail and quality, for continuous printing, the iPF820 is perfect with its dual roll capability.

Focused on your business to make a **big difference.**

The innovative features included within the CAD & GIS range have been designed to help you bring your best work to light. Look forward to exceptional accuracy, print after print consistency and highly productive performance.



Innovations that help you win new business.

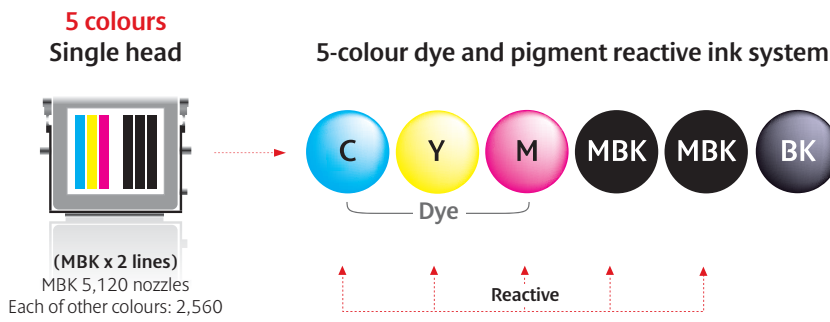
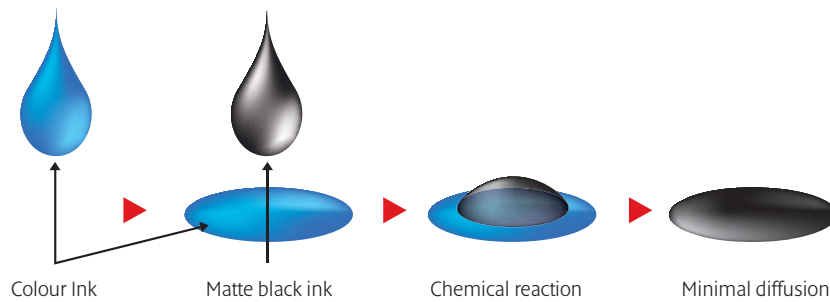
Print with FINE technology

To deliver faithful image expression, ink droplets must be extremely small and precisely distributed. When droplets become microscopic however, image quality is affected by problems such as uneven droplet size and placement on the paper. Conventional printing systems compensate by making multiple passes for each line but this adds significantly to print times.

Canon's FINE (Full Photolithograph Inkjet Nozzle Engineering) overcomes this problem without needing to make multiple passes, producing bi-directional printing at incredible speeds. An innovative ink-nozzle manufacturing method results in precisely uniform droplets and outstanding photo-quality print performance.

L-COA for unbeatable productivity

Providing the optimal balance between high productivity and high quality is Canon's Large Format Printer Common Architecture (L-COA). L-COA helps your printer carry out the most complex print jobs - where files can often exceed 200MB - with ease.



Reactive ink technology

Canon's CAD & GIS range features a 5-colour dye/pigment reactive ink system designed specifically for CAD and GIS applications. This unique formulation improves ink adhesion to the media and minimises colour "bleeding". When black ink intersects with a coloured area (for example, words printed on a coloured background), the black and cyan inks induce a chemical reaction that prevents black from bleeding into the colours. This means clearer text, smoother curves and sharp fine lines – even on uncoated technical papers. Using reactive inks also improves scratch and marker resistance so prints are far more durable than those printed with conventional dye inks.

Smooth graduations across all media

The CAD & GIS range utilise two types of black ink for the best possible results on all types of media. For photo-type media, a black ink (BK) is used and for high contrast prints on matte paper, a matte black (MBK) is used. This process ensures smooth graduations across every media type and is highly efficient as the relevant ink is automatically selected for each media type.

Bring your most complex designs, plans, charts and maps to life in exceptional detail with Canon's specialist CAD & GIS Large Format Printers.

The best way to see the **bigger picture.**

Media matters

More choice and better quality for you and your customers comes courtesy of Canon's exclusive range of specialist media. Designed for Large Format Printing applications we offer 40 high quality specialist options for Proofing, CAD & GIS, Fine Art, Photography, Production and General Use sectors.

Using Canon media ensures your design and print workflow process is undertaken with products designed to work in harmony for the highest possible performance levels. The entire Canon media range is also supported with ICC profiles and preset printer settings for quick, predictable and trouble-free operation.

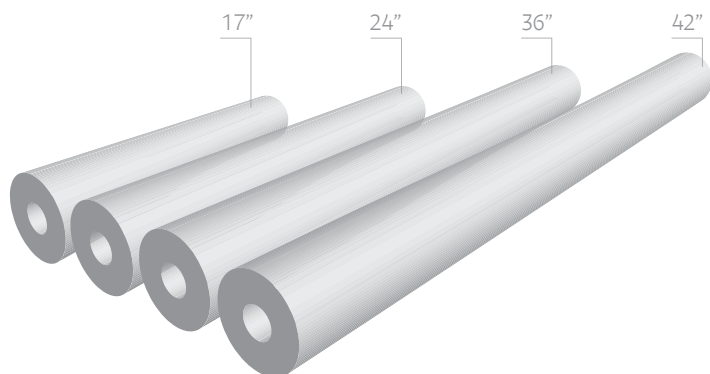
For CAD & GIS applications there are specialist media's available with various roll widths.

Quality results with Canon inks

We're constantly looking to fine-tune the quality of our inks and thereby the quality of your prints. That's why we've selected a specialist formulation of pigment and dye ink that has been designed to give the finest results possible for the applications you use.

If you demand the sharpest lines, the most accurate visualisations and the most stunningly detailed graphs, make sure you choose inks that are designed for the task at hand.

CAD & GIS media roll widths available



1 Dual Roll

For large print runs on different types and sizes of media (iPF820).

2 Economy Printing Mode

For lower running costs.

3 'Hot Swap' Ink Tanks

Continuous productivity with the ability to change ink whilst printing (iPF650/iPF655/iPF750/iPF755/iPF810/iPF820).

4 Accurate line reproduction

Range accuracy of +/- 1% and minimum line width of 0.02mm.

5 Seamless Integration

HP-GL/2 and HP-RTL compatible and HDI driver for AutoCAD.

6 Track costs

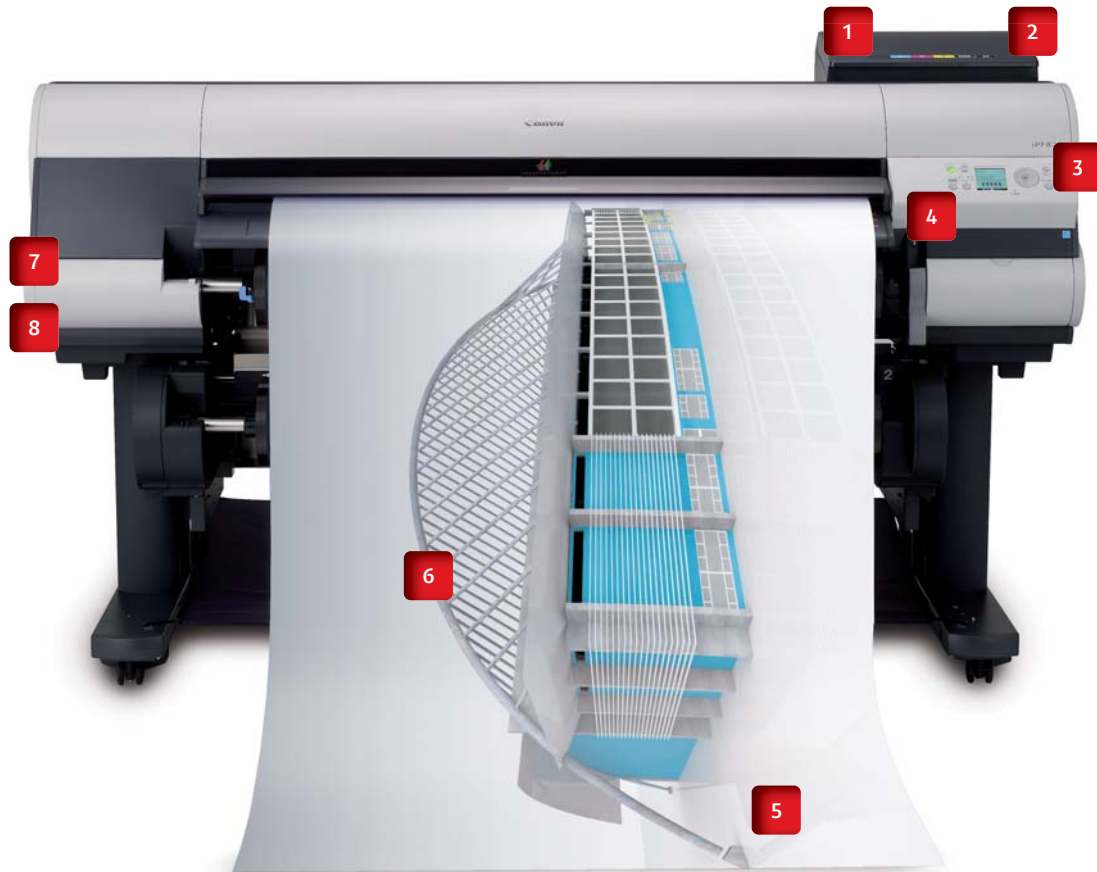
Full accounting software package included (iPF650/iPF655/iPF750/iPF755).

7 Microsoft Office Plug-in

Print large format in Word, Excel and PowerPoint directly from the application.

8 Borderless Printing

For maximum impact and to save time on finishing.



Lines and graphs never looked better with Canon Media and Ink.

Effortless control

Ultimate control comes courtesy of Canon's flexible imagePROGRAF Printer Driver. An "easy mode" allows you to use Canon's pre-defined settings for speed and simplicity of use. Switch to "advanced mode" however and you can adjust drying times, colour settings and manage your own ICC profiles.

Page set-up provides pure flexibility allowing customised page sizes if required and a best-fit option for each media is selectable. Select the watermark feature and you can protect the rights of your images. For enhanced workflow, pre-defined settings can be created using hot folders.

A maintenance facility allows you to adjust the media feed, do a nozzle check, clean the print heads, check the print queue and carry out other timesaving procedures.

Precision with HDI Driver

Standard Windows drivers will make raster representations of print data which can result in imprecise printing which could have serious consequences. Canon's HDI driver for AutoCAD by AutoDesk however, makes a Vector representation of the data, whereby points are defined mathematically. This ensures lines and curves are represented with absolute accuracy - essential for use with CAD.



✓ All the detail
you need.



Solutions designed to expand **your** **opportunities.**

When you work with Canon, you work with a company that carefully considers how you run your business. That means people who understand how you operate, products designed to get the job done and added value solutions to maximise your business opportunities.

Colortrac Scanners

Canon partners with Colortrac to provide large format scanners. By combining the scanner with a Canon LFP we can offer customers a scan to print and copying solution, providing the opportunity to reach a wider range of customers.

The SmartLF Ci 40 is a high speed, large format scanner designed for the CAD & GIS markets. This 40" user friendly, networkable solution features an optical resolution of 600 dpi and recreates fine lines and detailed images with exceptional clarity.

Create incredible posters

It's also possible to use your printer for entirely different means. Opt for Canon's PosterArtist software and you can use it to create incredible borderless posters, signs and displays. PosterArtist also gives you the ability to print Microsoft documents, such as Excel spreadsheets or posters, in just a few simple steps.



PosterArtist

Explore huge possibilities with Canon.

Canon

Canon Inc.
www.canon.com

Canon Europa
www.canon-europe.com

English Edition
© Canon Europa 2009 (0000)